

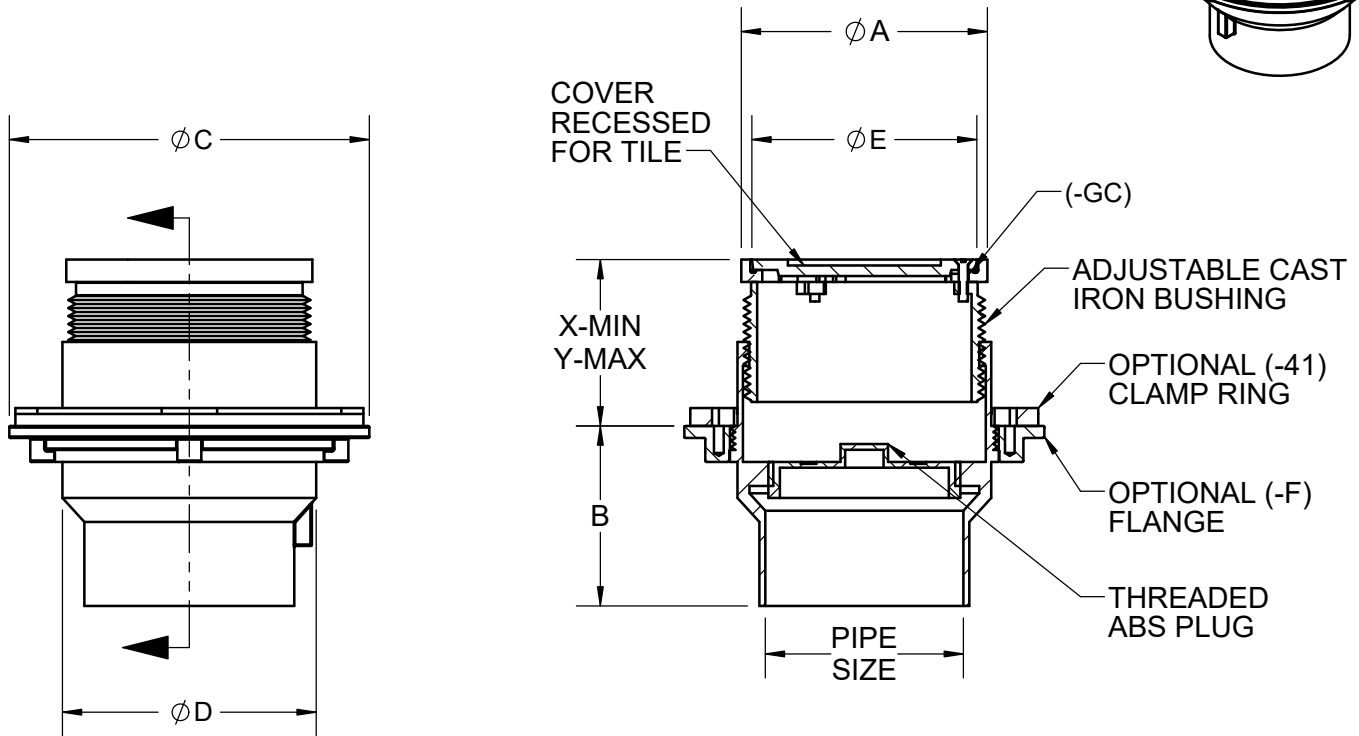
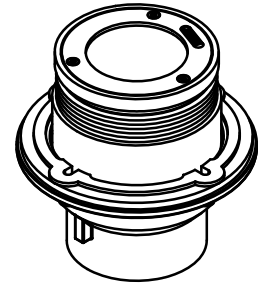
SPECIFICATION:

JOSAM 55000-1-12 SERIES COATED CAST IRON KLEENATRON® II LEVELEZE® FLOOR CLEANOUT, INTERNAL ABS CLEANOUT PLUG, ADJUSTABLE CAST IRON HOUSING WITH MEDIUM-DUTY SCORIATED SECURED ROUND SATIN NIKALOY COVER RECESSED FOR TILE.

CLEANOUT
ROUND NIKALOY TOP,
RECESSED FOR TILE

SERIES **55000-1-12**

FLANGE STANDARD ON 4" -X AND 6" SIZES.



	PIPE SIZE	A	B	C	D	E	X	Y
	2"	5 1/8	3 3/4	7 1/2	5 9/16	4 11/16	2 1/8	3 7/8
	3"	5 1/8	3 3/4	7 1/2	5 9/16	4 11/16	2 1/8	3 7/8
	4"	5 1/8	3 3/4	7 1/2	5 9/16	4 11/16	2 1/8	3 7/8
	4" -X	6 5/8	4 1/4	9 3/16	7	6 5/16	2	3 15/16
	5" -Z	5 1/8	3 3/4	7 1/2	5 9/16	4 11/16	2 1/8	3 7/8
	6" -Z	6 5/8	4 1/4	9 3/16	7	6 5/16	2	3 15/16

X	-1-12	COVER RECESSED FOR TILE, SATIN FINISH NIKALOY		-F	FLANGE ONLY
	-14	CARPET CLEANOUT MARKER		-WF	WIDE FLANGE
	-VP	SECURED COVER, VANDAL-PROOF SCREWS		-CFC	CARPET CLEANOUT FLANGE COVER
	-22	TAPER THREAD BRONZE PLUG		-DBC	DEBRIS COVER
	-31	GALVANIZED CAST IRON PARTS		-X	INSIDE CAULK OUTLET
	-41	CLAMP RING AND FLANGE		-Y	HUB OUTLET W/GASKET (2", 3", & 4" SIZES ONLY)
	-GC	GASKETED COVER		-Z	NO-HUB OUTLET

DATE OF LAST CHANGE: 05/24/19

DIMENSIONS ARE SUBJECT TO MANUFACTURERS TOLERANCES AND CHANGE WITHOUT NOTICE. WE CAN ASSUME NO RESPONSIBILITY FOR USE OF SUPERSEDED OR VOID DATA.

JOSAM
MICHIGAN CITY, INDIANA

NOTES