

**SPECIFICATION:**

JOSAM SERIES 55000 REPLACEMENT PARTS GUIDE.

**CLEANOUT  
REPLACEMENT PARTS  
FOR 2", 3", 4"-Y, 4"-Z, 5-Z"**

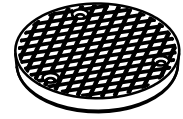
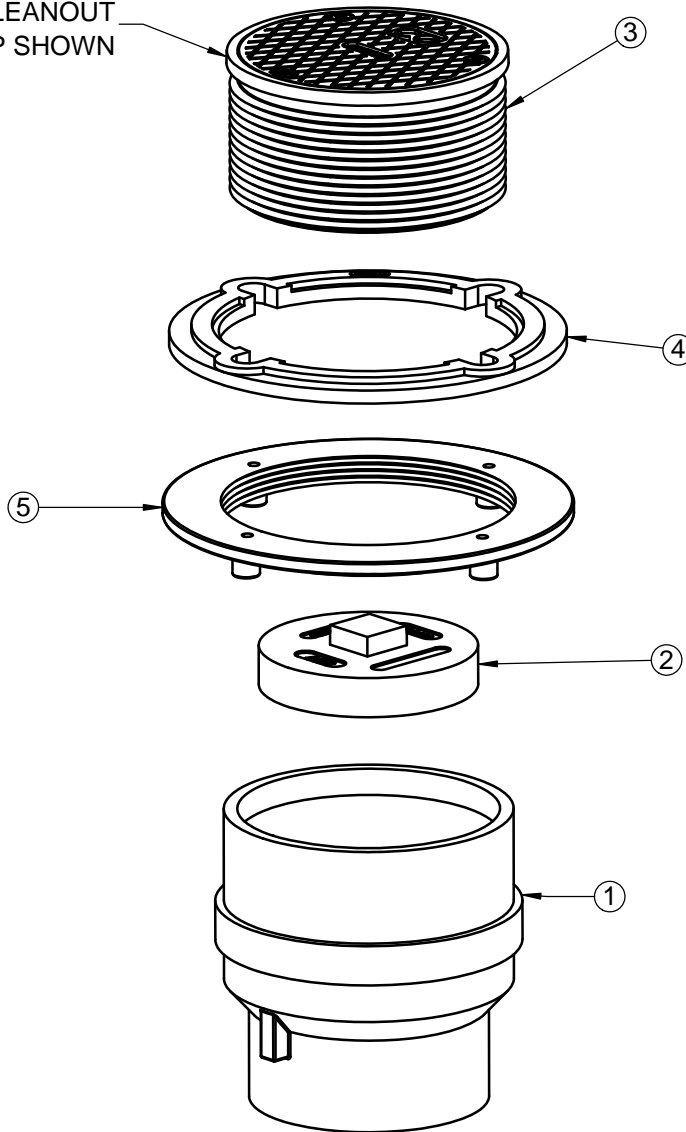
SERIES

**55000**

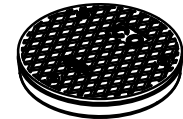
55004-Z-1 SHOWN

COVER STYLES

-1 CLEANOUT  
TOP SHOWN



STD  
086720



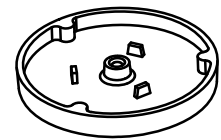
-1-SD / -2-SD  
CALL JOSAM



-1 NIK / -2 BR  
086613T / 086615T



-1-12 NIK / -2-12 BR  
086622 / 086624



-1-13 NIK / -2-13 BR  
086645 / 086646

POS. NO.	PART NUMBER	DESCRIPTION	QTY.
1	-----	BODY	1
2	086870/086880	4 1/8" ABS THREADED PLUG	1
3	-----	TOP ASSEMBLY	1
4	086682	OPTIONAL (-41) CLAMP RING	1
5	086745	OPTIONAL (-F) FLANGE	1

WARNING: Cancer and Reproductive Harm - www.P65Warnings.ca.gov

DATE OF LAST CHANGE: 5/23/18

DIMENSIONS ARE SUBJECT TO MANUFACTURERS TOLERANCES AND CHANGE WITHOUT NOTICE. WE CAN ASSUME NO RESPONSIBILITY FOR USE OF SUPERSEDED OR VOID DATA.



MICHIGAN CITY, INDIANA

NOTES