

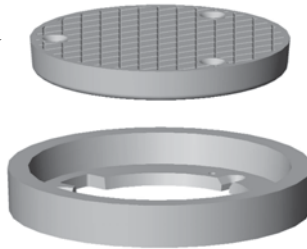
CLEANOUT FEATURES

KLEENATRON® II Features

JOSAM KLEENATRON® II Cleanouts incorporate features developed to meet the latest in building construction methods. These features ensure the specifier, installer and user of completely trouble-free installation and performance.

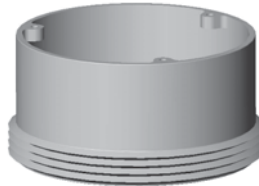
WIDE CHOICE OF COVERS

Tops and covers for every area. Round-square, tile-terrazzo, medium-special-duty. Standard cast iron secured cover has special-duty rating.*



ADJUSTABLE BUSHING

Precision machine threaded cast iron bushing provides LEVELEZE® adjustment; non-tilting top. Body protects threads from concrete, allowing adjustment after pour.



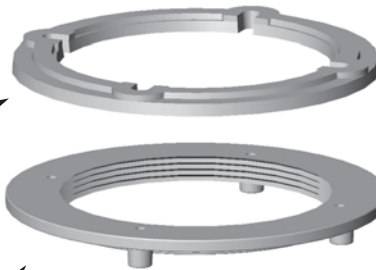
EASY IN – EASY OUT CLOSURE PLUG

ABS plastic closure plug with gas-tight sealing tapered threads.



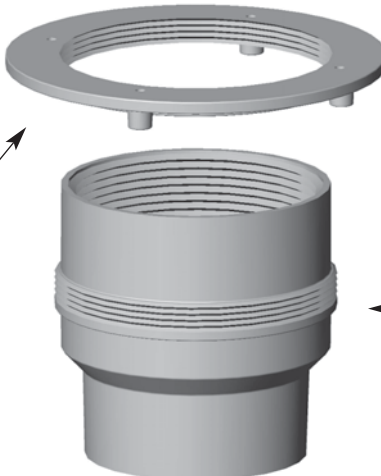
OPTIONAL CLAMP RING

To secure waterproof membrane to flashing flange.

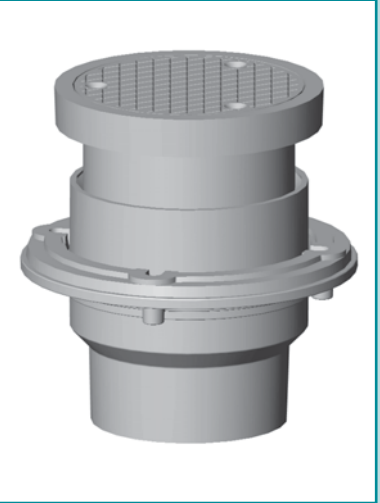


OPTIONAL (-F) FLASHING FLANGE

Mates with machined exterior thread on ferrule to provide watertight connection without the additional use of sealant by others.



55000



55000-Y Series KLEENATRON® Cleanouts feature JOSAM JIFFEE-SET connections with MULTI-TITE® service weight (SV) soil pipe gaskets in 2, 3 and 4 inch sizes for labor-saving assembly to service weight and no-hub cast iron pipe, and to PVC and ABS pipe. Merely lubricate gasket and pipe, set cleanout in place, push down until top of pipe contacts built-in stop and the joint is complete.

CAST IRON BODY

With interior threads to provide unimpaired LEVELEZE® adjustment of top section.

*SPECIAL-DUTY: Grates testing over 10,000 lb. (4500 kg.) ASME 112.6.3-2001.

CLEANOUT FEATURES

KLEENATRON® Features

JOSAM KLEENATRON® Cleanouts incorporate features developed and tested to meet the requirements of all types of modern building construction and the plumbing drainage systems involved. These features insure the specifier, installer and user of completely trouble-free installation and performance. The body is heavy-duty and comes in a variety of outlets. The molded ABS plug with Neoprene gasket provides gas-tight closure every time. A wide choice of cover sizes, shapes and finishes is available.

Other types of Cleanouts for floor and wall installations are illustrated throughout this section.

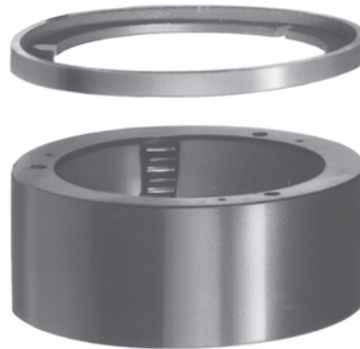
WIDE CHOICE OF COVERS

Tops and covers for every area:
round-square, scoriated-plain, standard-
heavy-duty, tile-terrazzo or carpet.



REVOLUTIONARY ADJUSTABLE HEAD

A molded head allows unimpaired adjustments even at the time the floor is being poured and prevents the mating parts from freezing together. KLEENATRON® is always adjustable even after long exposure to the elements. LEVELEZE® risers are molded into the head which mate with annular ring on cleanout body to provide this adjustment.



EASY IN – EASY OUT CLOSURE PLUG & GASKET

Plug is molded ABS with a Neoprene gasket which provides for gas-tight closure time after time. Gasket and plug allow the user to feel confident that this important access will perform as if it were installed yesterday. Bronze plugs are optional.



LEVELOC® THUMB SCREWS

are provided with each KLEENATRON® Cleanout and are recommended for use after leveling for greater stability.



57000



57000-Y Series KLEENATRON® Cleanouts feature JOSAM JIFFEE-SET connections with MULTI-TITE® service weight (SV) soil pipe gaskets in 2, 3 and 4 inch sizes for labor-saving assembly to service weight and no-hub cast iron pipe, and to PVC and ABS pipe. Merely lubricate gasket and pipe, set cleanout in place, push down until top of pipe contacts built-in stop and the joint is complete.

BODY IS INTEGRAL WITH INCLINED RING

The body of the cleanout is a heavy-duty casting incorporating an integral inclined annular ring which mates with the JOSAM patented LEVELEZE® risers molded into the head to provide for unimpaired adjustment right up to and during the time the floor is being poured.